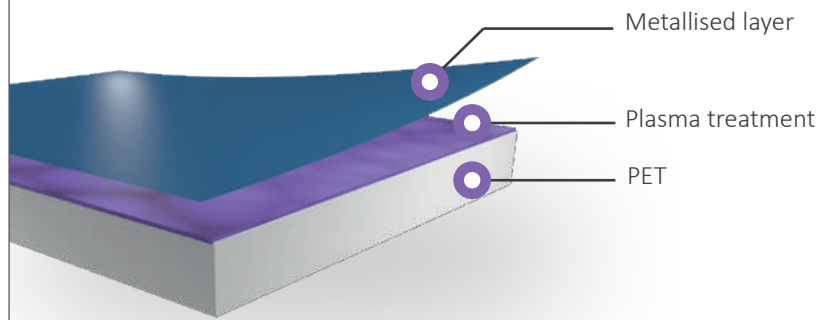


Claryl® MA Claryl® MA-O

Application

- Flexible packaging requiring barrier properties and improved metal adhesion



METALLISED PET FILM WITH ENHANCED METAL ADHESION

Benefits

- Opaque gas barrier film
- Improved metal adhesion
- High protection against natural and UV light
- High thermal stability and good machinability

Typical Values *(These values do not constitute binding specifications)*

Properties	Test Method	Unit	12 µm
YIELD			
Unit Weight		g/m ²	16.8
Area Yield		m ² /kg	59.5
MECHANICAL			
Tensile Strength MD	ASTM D 882	daN/mm ²	19
Tensile Strength TD			20
Elongation at Break MD	ASTM D 882	%	110
Elongation at Break TD			110
THERMAL			
Shrinkage 150°C 30mn MD	Internal Method	%	1.6
Shrinkage 150°C 30mn TD			0.4
OPTICAL			
Optical density			2.2
BARRIER			
OTR. 50% HR. 23°C	ASTM F1927	cm ³ /m ² per day	0.4
MVTR. 90% HR. 38°C	ASTM F1249	g/m ² per day	1.0
SURFACE			
Metal adhesion / Heat seal test	Internal Method	N/38mm	2

Regulation

Claryl® MA and MA-O comply with European applicable requirements for food contact applications. For Toray's certification concerning specific applications with each product, please refer to the 'Declaration of Compliance'.

Presentation of the rolls

Roll packaging: The rolls are suspended on standard paper core with internal diameter of 152.8mm. For all presentation, minimum roll width = 340mm and maximum roll width = 2100mm.

Returnable packaging: Wooden flanges, plastic flanges and pallets are returnable. The metallised side is identified on the labels.



Please contact us for...

- Any other presentation (width, length, core)
- Process for returnable packaging
- Any other information about typical values, measuring conditions, tolerances, deliveries...

Claryl® is a registered trademark of Toray Films Europe SAS - TFE November 2019

DISCLAIMER: This leaflet is provided for informational purpose only and is not binding, nor can it constitute specifications to the buyer. The information contained in this document is based on numerous tests and trials we have carried out in our laboratories. Deviations from the results thus obtained can therefore be experienced depending on the actual conditions of use. This document does not provide any guarantee with regard to compliance of our product with the typical values indicated, nor does it provide any guarantee as the suitability of our products for any particular use.